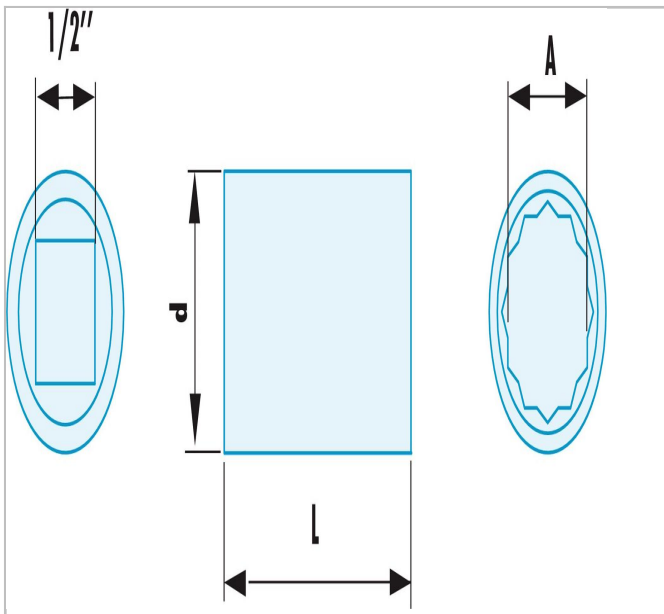



S.SR - Douilles 1/2" 12 pans métriques ADF



Description :

- Alliage spécial Cuivre-Béryllium antidéflagrant et antimagnétique.



	A [mm]	Diamètre ré Maxi [mm]	longueur [mm]	Poids [g]
S.10SR	10.0	24.0	40.0	80.0
S.11SR	11.0	24.0	40.0	80.0
S.12SR	12.0	24.0	40.0	80.0
S.13SR	13.0	24.0	40.0	80.0
S.14SR	14.0	24.0	40.0	80.0
S.15SR	15.0	25.0	40.0	85.0
S.16SR	16.0	25.0	40.0	85.0
S.17SR	17.0	25.0	40.0	90.0
S.18SR	18.0	26.0	42.0	90.0
S.19SR	19.0	28.0	42.0	110.0
S.20SR	20.0	29.0	42.0	120.0
S.21SR	21.0	30.0	43.0	140.0
S.22SR	22.0	31.0	43.0	145.0
S.23SR	23.0	33.0	43.0	160.0
S.24SR	24.0	34.0	43.0	185.0
S.25SR	25.0	36.0	43.0	200.0
S.26SR	26.0	37.0	43.0	210.0
S.27SR	27.0	38.0	46.0	235.0
S.28SR	28.0	39.0	46.0	245.0
S.29SR	29.0	41.0	46.0	250.0
S.30SR	30.0	42.0	46.0	285.0
S.32SR	32.0	44.0	46.0	320.0
S.6SR	6.0	24.0	40.0	75.0
S.7SR	7.0	24.0	40.0	80.0
S.8SR	8.0	24.0	40.0	80.0
S.9SR	9.0	24.0	40.0	80.0